

## Flap cover

made of stainless steel or steel



## Flap cover

made of stainless steel or steel

FLAP COVER WITH CIRCULAR OR RECTANGULAR OPENING,  
SEALED ALL-ROUND

### Opening size and pressure level

- DN 100 - 2000 mm
- Nominal size 150 x 150 mm up to 3000 x 3000 mm
- Selectable pressure level on the front: 2-10 mWS

### Cover

- Straight flap cover (standard) reinforced by sheet metal ribs according to static requirements
- All welded stainless steel parts with perfect corrosion protection from our own pickling plant
- Steel parts coated 320 µm
- Replaceable wearing parts and seal (EPDM/NBR)

### Materials

- Stainless steel 1.4301 (304) / 1.4404 (316L) / 1.4410 (507) / 1.4462 (318LN) / 1.4539 (904L)
- Steel A36 coated 320 µm

### Tightness class

- Leakage rate to DIN 19569, Part 4, Table 1:  
Pressure at front: 0.05 to 0.1 l·s<sup>-1</sup>·m<sup>-1</sup> (tightness class 3)
- Pressure-tight from 1.5 times DN

### Mounting options

- Dowelling into the structure
- Casting in concrete
- Mounted on a pipe flange with hole pattern PN10  
Optional: Other hole pattern possible

### Scope of supply

- Flap cover complete with all required fastening elements (dowels and sealing material)

### Variants

- Flat cover at the outside water level below the pipe base
- Flat cover with counterweight at low drainage pressure
- Flap cover with counterweight
- Sloping cover
- With shock absorption



i

## YOUR ADVANTAGES

- **VERSATILE**  
Soft-sealing backflow flap as a back-flow preventer, for drainage and flood protection
- **INDIVIDUAL**  
Each flap cover is available with different cover designs
- **FACTORY CERTIFICATE**  
Flap cover including factory certificate according to DIN EN 10204, 2.1, with indication of the leakage rate according to DIN 19569, part 4
- **PERFECT CORROSION PROTECTION**  
All welded stainless steel parts from our own pickling plant



Flap cover DN 1400 made of steel A36 coated, variant with slanted cover and shock absorber.



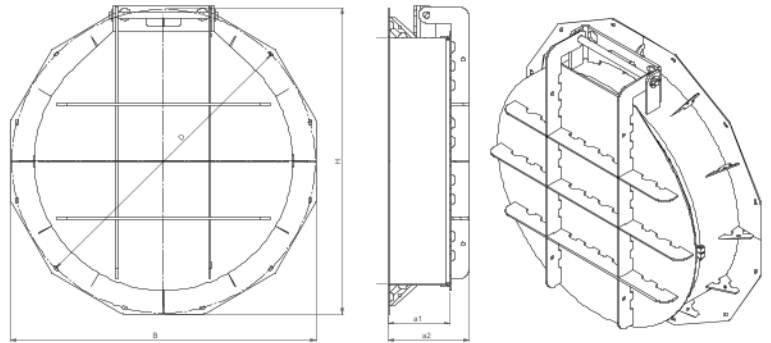
Lifting device for flap valves for dowelling under the ceiling.



## Tables and dimensional drawings

### Flap cover for dowelling

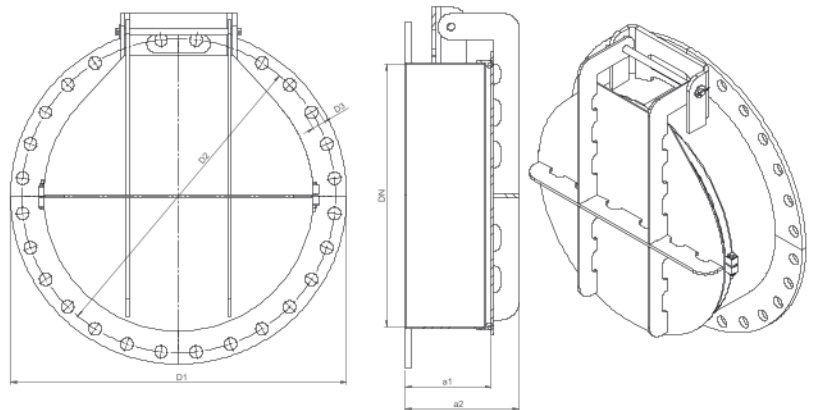
Diameter DN	B	H	a1	a2	D (Ø)	Dowel	Number of mounting holes
80	180	180			200	M10x130	4
100	220	220	77	100	260		
125	240	240			290		
150	275	275	82	115	315		
200	325	325			375		8
250	385	385	97	140	435		
300	475	475			460		
400	550	550	157	212	540		
500	750	750			740		12
600	850	850	227	302	840		
700	950	950			940		
800	1050	1050	293	389	1175		
900	1200	1200			1250	12	
1000	1265	1265	300	396	1490		



Dimensional drawing: Flap cover for dowelling

### Flap cover for screwing at the flange

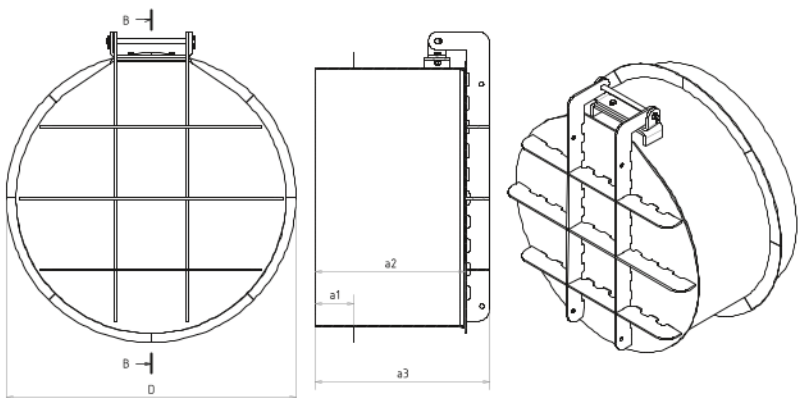
Diameter DN	D1 (Ø)	D2 (Ø)	D3 (Ø)	Thread	a1	a2	Number of holes
80	200	160		M16	80	103	8
100	220	180	18		80	103	
125	250	210		M20	85	118	
150	285	240	22		85	118	
200	340	295		M24	100	143	12
250	395	350	26		100	143	
300	445	400		M27	160	215	16
400	565	515	30		160	215	
500	670	620		M30	157	212	20
600	780	725	33		157	212	
700	895	840		M33	160	215	24
800	1015	950	36		160	215	
900	1115	1050		M36	219	293	28
1000	1230	1160	39		219	293	
1200	1455	1380			289	385	32



Dimensional drawing: Flap cover for screwing at the flange

### Flap cover for installation in the wall

Diameter DN	D (Ø)	a1	a2	a3	Thickness of the wall
80	150	125	350	379	250
100	170			379	
125	200			389	
150	240			434	
200	300			469	
250	350			479	
300	425	438	490	300	
400	484		498		
500	608	150	518	578	300
600	710			578	
700	810			599	
800	914			661	
900	1014			680	
1000	1136			682	
1200	1340		580	681	



Dimensional drawing: Flap cover for installation in the wall

All dimensions in mm, dimensions and weights larger than DN 1200 on request.  
 Dimensions and weights for special shapes on request. All details are guideline values and may vary depending on the pressure level, fastenings and space.

# Flap cover

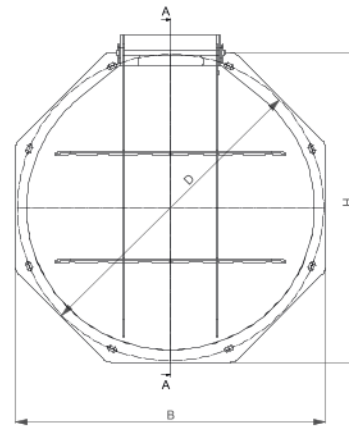
made of stainless steel or steel



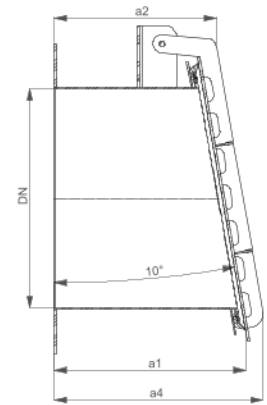
## Tables and dimensional drawings

### with bevel seat for dowelling

Diameter DN	B	H	a1	a2	a4	D (Ø)	Dowel	Number of mounting holes
80	180	180				200	M 10x130	4
100	220	220	181	100	228	260		
125	240	240				290		
150	275	275	196	115	243	315		
200	325	325				375		8
250	385	385	221	140	268	435		
300	475	475				460		
400	550	550	293	212	340	540		
500	750	750				740		12
600	850	850				840		
700	950	950	383	302	430	940		
800	1050	1050	470	389	517	1040		
900	1200	1200				1175		
1000	1265	1265	470	389	517	1250		
1200	1500	1500	477	396	524	1490		

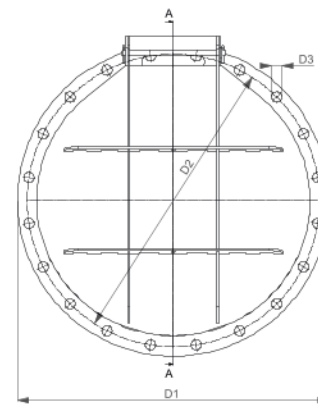


Flap cover with bevel seat for dowelling

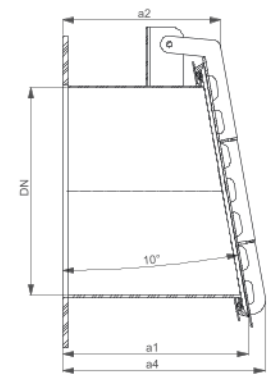


### with bevel seat for screwing at the flange

Diameter DN	D1 (Ø)	D2 (Ø)	D3 (Ø)	a1	a2	a4	Thread	Number of holes
80	200	160					M16	8
100	220	180	18	189	103	231		
125	250	210	22		113	241	M20	12
150	285	240		199	118	246		
200	340	295		244	143	271	M24	16
250	395	350	296	215	343			
300	445	400	26	293	212	340	M27	20
400	565	515		296	215	343		
500	670	620	30	374	293	421	M30	24
600	780	725	376	295	423			
700	895	840	33	466	385	513	M33	28
800	1015	950		376	295	423		
900	1115	1050	36	466	385	513	M36	32
1000	1230	1160	39	479	398	526		
1200	1455	1380		479	398	526		

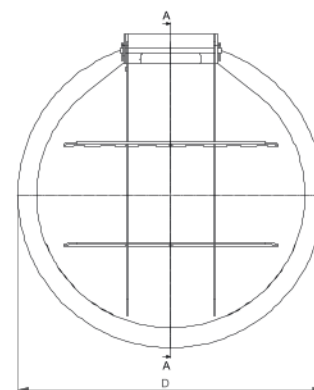


Flap cover with bevel seat for screwing at the flange

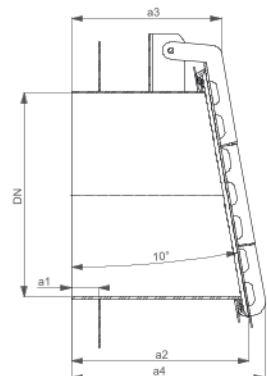


### with bevel seat for installation in the wall

Diameter DN	D (Ø)	a1	a2	a3	a4	Thickness of the wall
80	150	125	350	379	507	250
100	170			389	517	
125	200			395	562	
150	240			469	597	
200	300			430	607	
250	350			490	618	
300	425			438	626	
400	484	150	438	498	626	300
500	608			578	706	
600	710			578	706	
700	810	580	518	599	727	300
800	914			661	789	
900	1014			680	808	
1000	1136			682	810	
1200	1340			681	809	



Flap cover with bevel seat for for installation in the wall



All dimensions in mm, dimensions and weights larger than DN 1200 on request. Dimensions and weights for special shapes on request. All details are guideline values and may vary depending on the pressure level, fastenings and space.